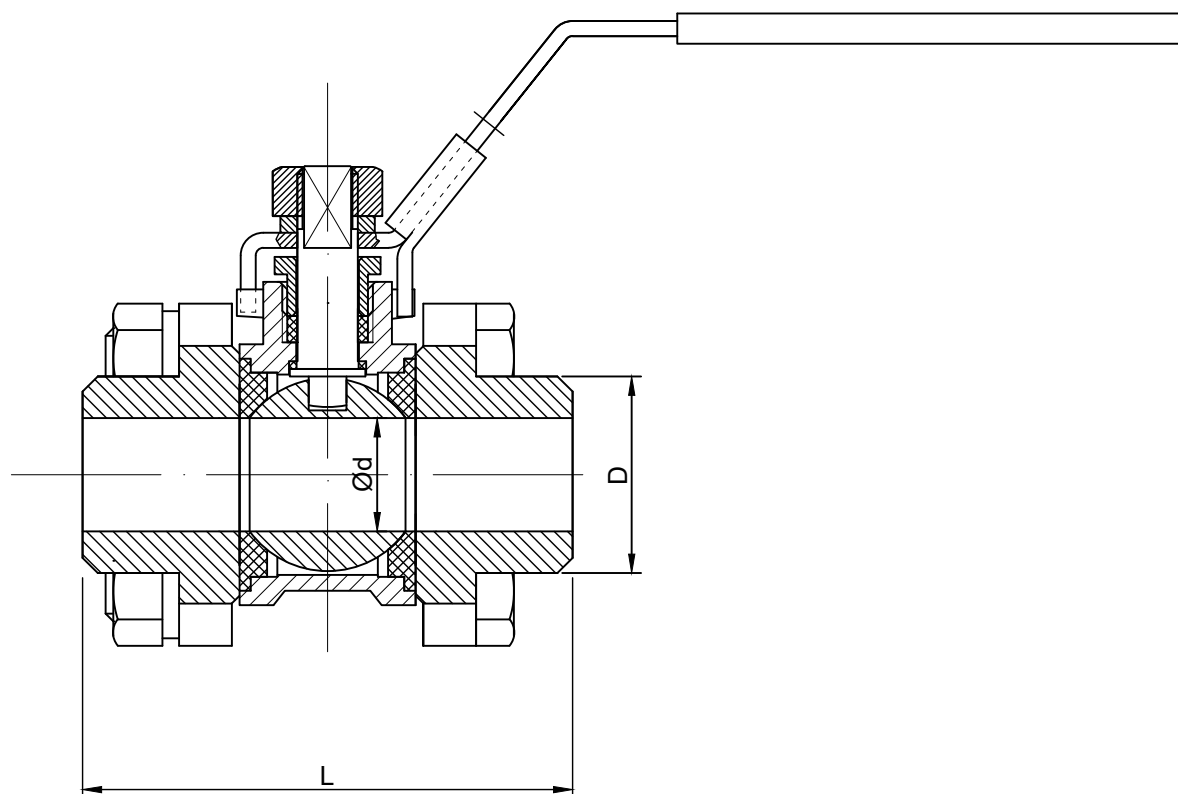


ART. 289

SIZE	d	D	L
1/4	13	16,4	60,0
3/8	13	18,2	60,0
1/2	15	22,0	61,0
3/4	20	27,5	70,4
1	25	33,7	79,2
1 1/4	32	44,2	96,0
1 1/2	38	50,2	107,2
2	50	62,0	122,0
2 1/2	65	76,5	158,5
3	76	92,5	178,7
4	94	114,0	220,0

MADE FROM CASTING



VALVOLA SFERA FUSIONE 3PZ
3-PC BALL VALVE BW/BW

TECNICATRE
Stainless Steel Experience