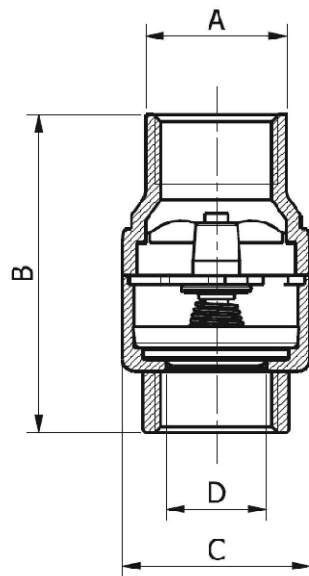
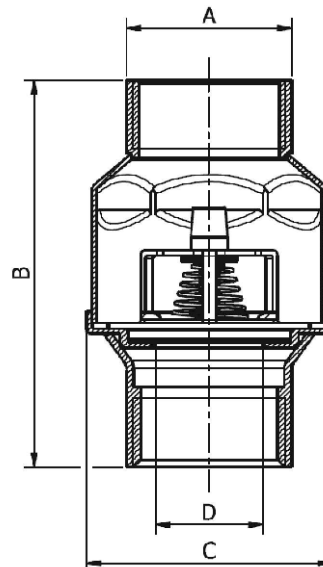


**ART. 230**

SIZE D	A	B	C
DN8 - 1/4"	20	56	32
DN10 - 3/8"	20	56	32
DN15 - 1/2"	25	56	32
DN20 - 3/4"	30	67	44
DN25 - 1"	35,8	83	53
DN32 - 1 1/4"	45	97	66
DN40 - 1 1/2"	50,8	115	78
DN50 - 2"	63	120,5	89
DN65 - 2 1/2"	80	142	113
DN80 - 3"	93	160	132
DN100 - 4"	120	191	167



DN8 - 15



DN20 - 100

WORKING PRESSURE PN 16  
TOLERANCE NOT LEVEL +/-0.2mm  
THREAD UNI ISO 228/1

**VALVOLA NON RITORNO STAMPATA  
CHECK VALVE**

**TECNICATRE**  
Stainless Steel Experience