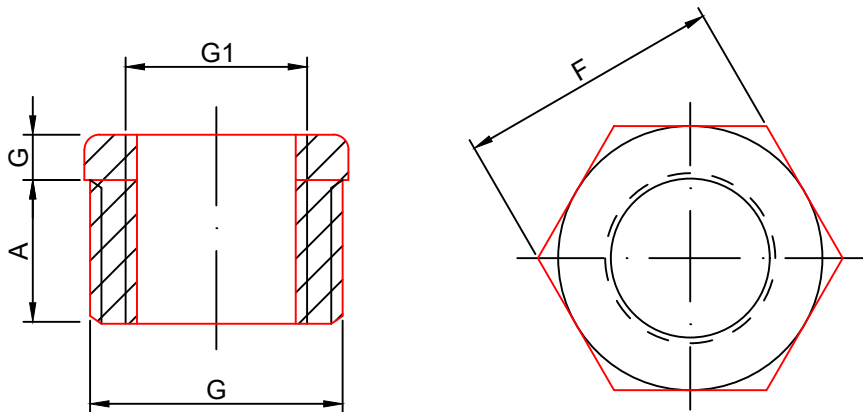


ART. 0311#2

| G | G1 | A | F | G |
|-------|-------|----|-------|---|
| 1/4 | 1/8 | 11 | 15,88 | 3 |
| 3/8 | 1/4 | 13 | 17,46 | 4 |
| 1/2 | 1/4 | 14 | 22,23 | 5 |
| | 3/8 | | | |
| 3/4 | 1/4 | 16 | 26,99 | 6 |
| | 3/8 | | | |
| | 1/2 | | | |
| 1" | 1/4 | 19 | 34,93 | 6 |
| | 3/8 | | | |
| | 1/2 | | | |
| | 3/4 | | | |
| 1 1/4 | 1/2 | 21 | 44,56 | 7 |
| | 3/4 | | | |
| | 1 | | | |
| 1 1/2 | 1/2 | 21 | 50,80 | 8 |
| | 3/4 | | | |
| | 1 | | | |
| | 1 1/4 | | | |
| 2 | 1/2 | 22 | 63,50 | 9 |
| | 1 | | | |
| | 1 1/4 | | | |
| | 1 1/2 | | | |



RIDUZIONE MF 3000# B16.11
 HEX BUSHING MF 3000# B16.11