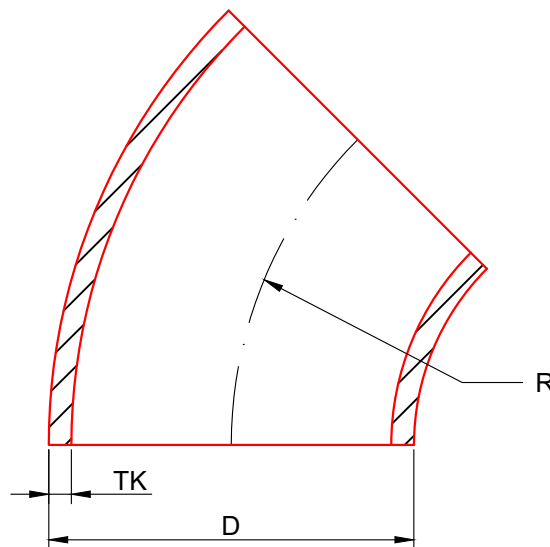


ART. 734

SIZE	D	R (Radius)	TK	ISO
1/2"	21,3	27	2,5	21,3x2,5
3/4"	26,9	28,5	2,5	26,9x2,5
1"	33,7	38	3	33,7x3,0
1"1/4	42,4	47,6	3	42,4x3,0
1"1/2	48,3	57,1	3	48,3x3,0
2"	60,3	76,1	3	60,3x3,0
2"1/2	76,1	96	3	76,1x3,0
3"	88,9	114,3	3	88,9x3,0
3"1/2	101,6	133,5	3	101,6x3,0
4"	114,3	152,5	3	114,3x3,0



CURVA SALD. 45° EN 10253 SP. 3
45° WELDING ELBOW EN 10253 TH. 3

TECNICATRE
Stainless Steel Experience