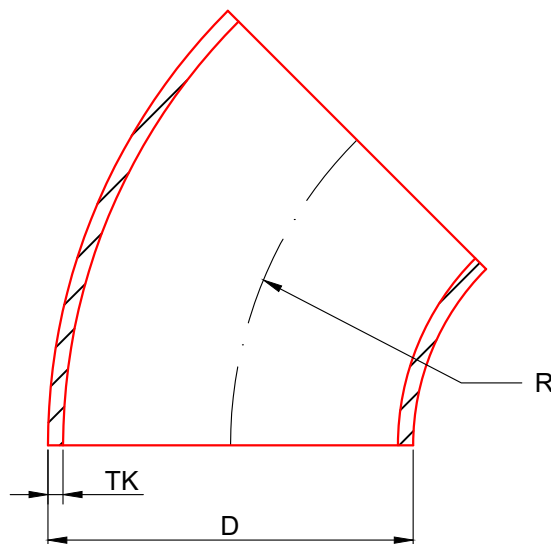


SIZE	D	R (Radius)	TK	ISO
1/4"	13,7	20	2	13,7x2,0
3/8"	17,3	28,5	2	17,2x2,0
1/2"	21,3	27	2	21,3x2,0
3/4"	26,9	28,5	2	26,9x2,0
1"	33,7	38	2	33,7x2,0
1"1/4	42,4	47,6	2	42,4x2,0
1"1/2	48,3	57,1	2	48,3x2,0
2"	60,3	76,1	2	60,3x2,0
2"1/2	76,1	96	2	76,1x2,0
3"	88,9	114,3	2	88,9x2,0
3"1/2	101,6	133,5	2	101,6x2,0
4"	114,3	152,5	2	114,3x2,0



CURVA SALD. 45° EN 10253 SP. 2
45° WELDING ELBOW EN 10253 TH. 2