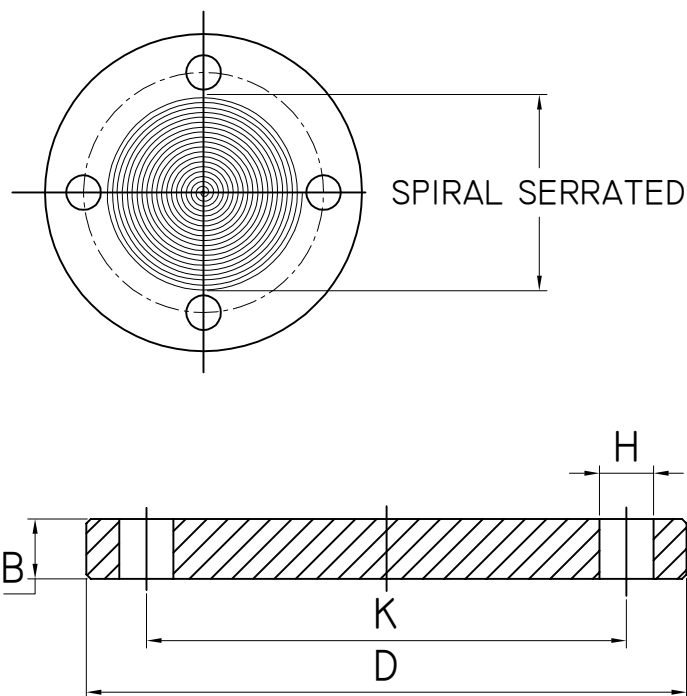


ART. 865#05A10

| DN | D | K | B | H | Nr. Holes |
|-----|-----|-----|----|----|-----------|
| 10 | 90 | 60 | 14 | 14 | 4 |
| 15 | 95 | 65 | 14 | 14 | 4 |
| 20 | 105 | 75 | 16 | 14 | 4 |
| 25 | 115 | 85 | 16 | 14 | 4 |
| 32 | 140 | 100 | 16 | 18 | 4 |
| 40 | 150 | 110 | 16 | 18 | 4 |
| 50 | 165 | 125 | 18 | 18 | 4 |
| 65 | 185 | 145 | 18 | 18 | 4 |
| 80 | 200 | 160 | 20 | 18 | 4 |
| 100 | 220 | 180 | 20 | 18 | 8 |
| 125 | 250 | 210 | 22 | 18 | 8 |
| 150 | 285 | 240 | 22 | 22 | 8 |
| 200 | 340 | 295 | 24 | 22 | 8 |
| 250 | 395 | 350 | 26 | 22 | 12 |
| 300 | 445 | 400 | 26 | 22 | 12 |
| 350 | 505 | 460 | 26 | 22 | 16 |
| 400 | 565 | 515 | 26 | 26 | 16 |
| 450 | 615 | 565 | 26 | 26 | 20 |
| 500 | 670 | 620 | 28 | 26 | 20 |
| 600 | 780 | 725 | 28 | 30 | 20 |



FLANGIA CIECA A351 TIPO A PN 10
BLIND FLANGE A351 TYPE A PN 10

