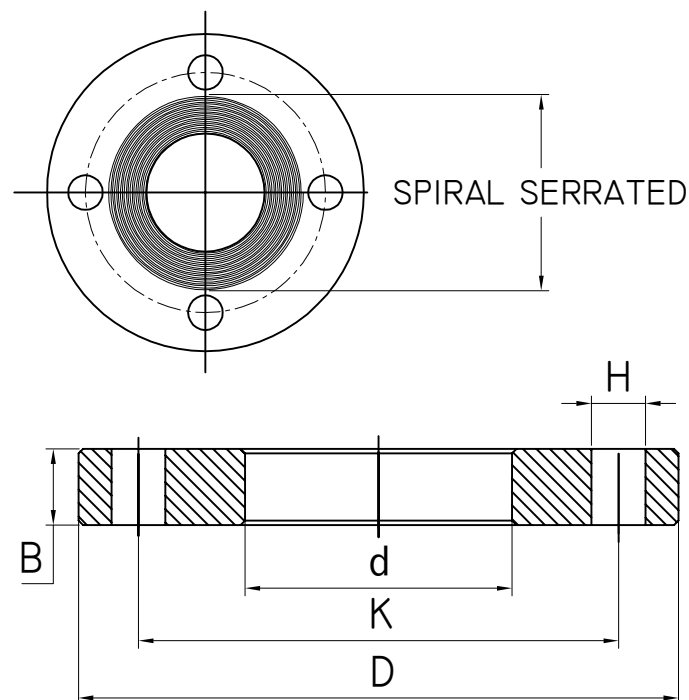


# ART. 865#01A40

| DN  | D   | K   | d     | B  | H  | Nr. Holes |
|-----|-----|-----|-------|----|----|-----------|
| 10  | 90  | 60  | 18    | 14 | 14 | 4         |
| 15  | 95  | 65  | 22    | 14 | 14 | 4         |
| 20  | 105 | 75  | 27.5  | 16 | 14 | 4         |
| 25  | 115 | 85  | 34.5  | 16 | 14 | 4         |
| 32  | 140 | 100 | 43.5  | 18 | 18 | 4         |
| 40  | 150 | 110 | 49.5  | 18 | 18 | 4         |
| 50  | 165 | 125 | 61.5  | 20 | 18 | 4         |
| 65  | 185 | 145 | 77.5  | 22 | 18 | 8         |
| 80  | 200 | 160 | 90.5  | 24 | 18 | 8         |
| 100 | 235 | 190 | 116   | 26 | 22 | 8         |
| 125 | 270 | 220 | 141.5 | 28 | 26 | 8         |
| 150 | 300 | 250 | 170.5 | 30 | 26 | 8         |
| 200 | 375 | 320 | 221.5 | 36 | 30 | 12        |
| 250 | 450 | 385 | 276.5 | 42 | 33 | 12        |
| 300 | 515 | 450 | 327.5 | 48 | 33 | 16        |
| 350 | 580 | 510 | 359.5 | 54 | 36 | 16        |
| 400 | 660 | 585 | 411   | 60 | 39 | 16        |
| 450 | 685 | 610 | 462   | 66 | 39 | 20        |
| 500 | 755 | 670 | 513.5 | 68 | 42 | 20        |
| 600 | 890 | 795 | 616.5 | 70 | 48 | 20        |



**FLANGIA PIANA A351 TIPO A PN 40**  
**PLANE FLANGE A351 TYPE A PN 40**