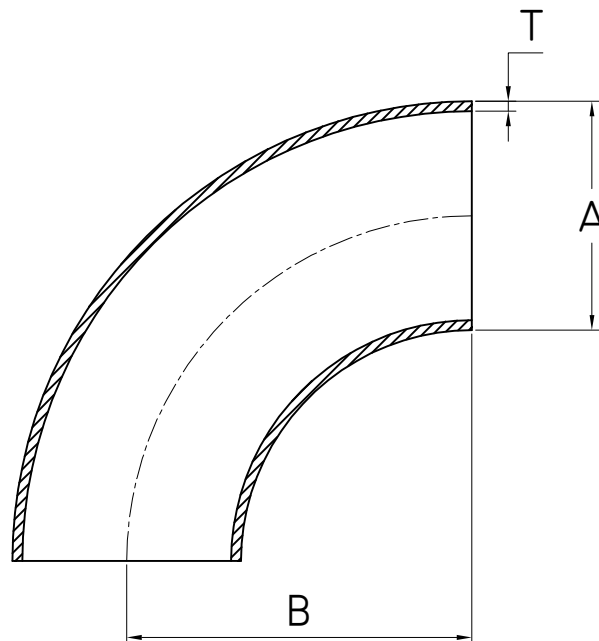


# ART. 794

Inch	A	B	T
1/2"	12.7	19.05	1.65
3/4"	19.05	28.5	1.65
1"	25.4	38.1	1.65
1"1/2	38.1	57.2	1.65
2"	50.8	76.2	1.65
2"1/2	63.5	95.3	1.65
3"	76.2	114.3	1.65
4"	101.6	152.4	2.11

MADE FROM PIPE



CURVA CORTA CLAMP LUCIDA INCH  
CLAMP SHORT WELDING POLISHED INCH ELBOW 90°

**TECNICATRE**  
Stainless Steel Experience