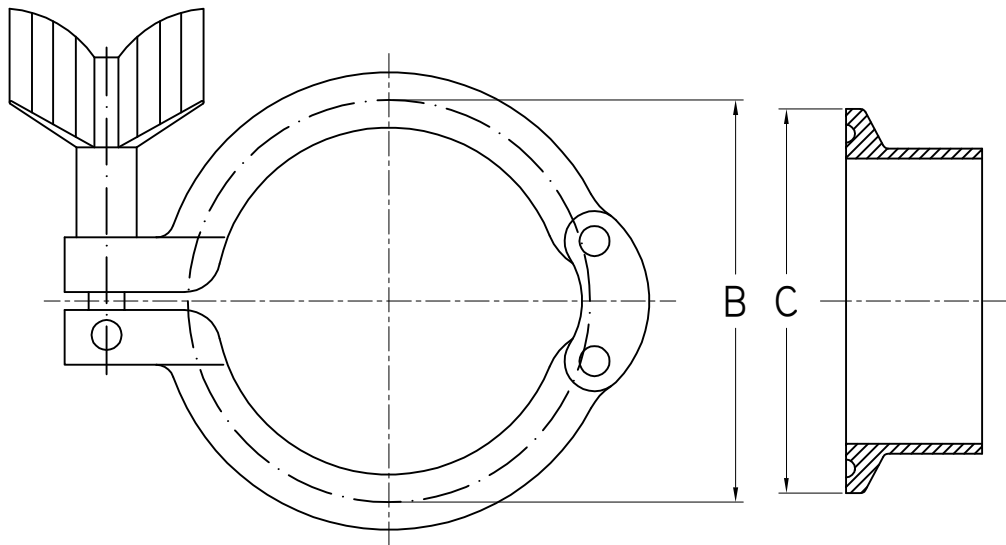


ART. 788

DN	B	C
25	53.4	50.4
32	53.4	50.4
40	53.4	50.4
50	67	64
65	93.9	90.9
80	109	106
100	121.8	118.8

MADE FROM CASTING



MORSETTO SNODO DOPPIO CLAMP DIN
CLAMP DOUBLE HEAVY DIN

TECNICATRE
Stainless Steel Experience