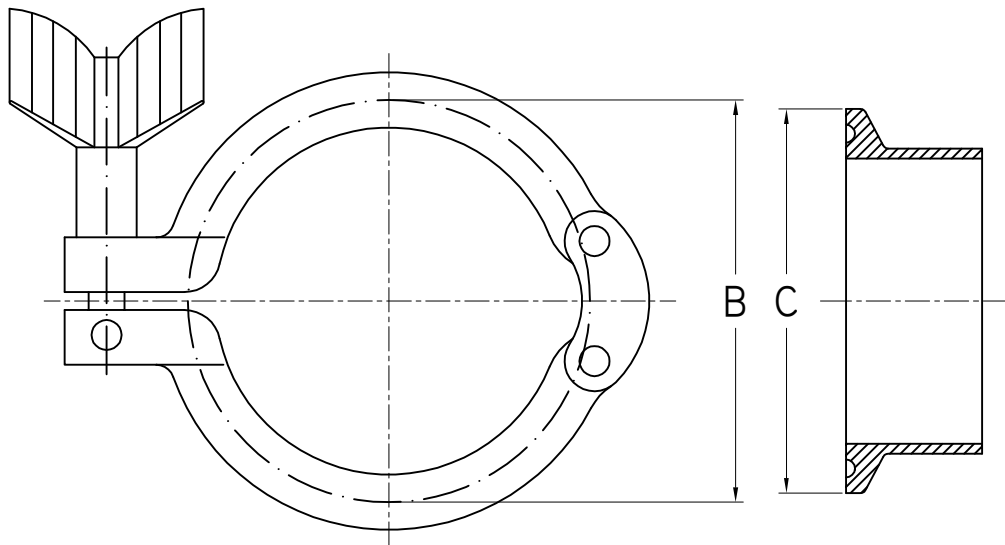


ART. 775

DN	SIZE	B	C
25	1"	53.4	50.4
32	1"1/4	53.4	50.4
40	1"1/2	67.0	64.0
50	2"	80.4	77.4
65	2"1/2	93.9	90.9
80	3"	109	106
100	4"	133	130

MADE FROM CASTING



MORSETTO SNODO DOPPIO CLAMP ISO
CLAMP DOUBLE HEAVY ISO

TECNICATRE
Stainless Steel Experience