

ART. 500

D	Type	Fig.	d1	G	E	I
28	gas thread	Fig. A	1.3	1/4"	-	-
40	gas thread	Fig. A	1.6	1/2"	-	-
50	gas thread	Fig. A	1.6	1/2"	-	-
65	gas thread	Fig. A	2.5	3/4"	-	-
65	gas thread	Fig. A	2.5	1"	-	-
90	gas thread	Fig. A	2.5	1" 1/4	-	-
40	clips	Fig. B	1.6	-	22	20
50	clips	Fig. B	1.6	-	22	20
50	clips	Fig. B	1.6	-	28	26
50	clips	Fig. B	1.6	-	41	39
65	clips	Fig. B	2.5	-	28	26
65	clips	Fig. B	2.5	-	32	30
65	clips	Fig. B	2.5	-	38	36
90	clips	Fig. B	2.5	-	38	36
120	clips	Fig. B	2	-	60.3	52.8

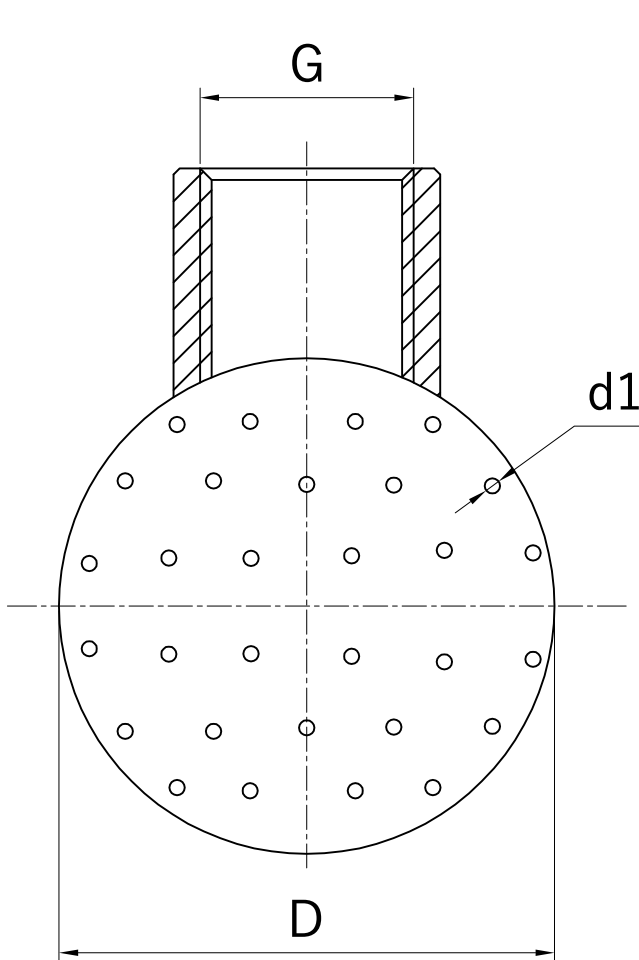


Fig. A

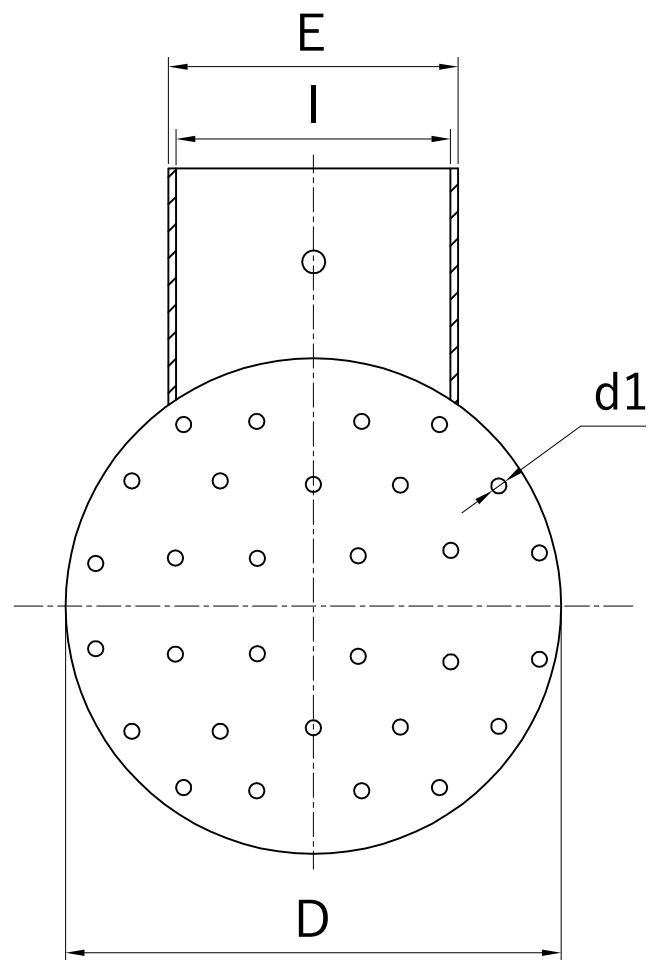


Fig. B

SFERA DI LAVAGGIO T.F.
CLEANING BALL FULL PIERCED