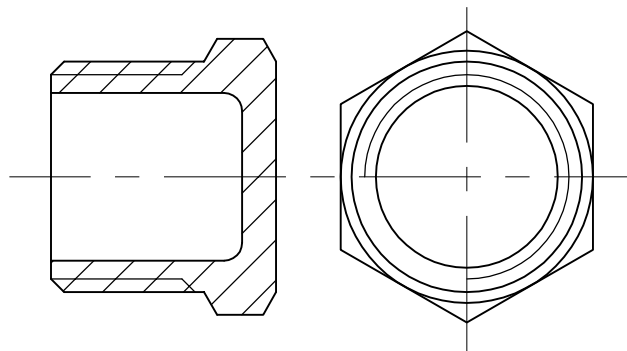


## ART. 151

Inch	DN
1/8"	6
1/4"	8
3/8"	10
1/2"	15
3/4"	20
1"	25
1"1/4	32
1"1/2	40
2"	50
2"1/2	65
3"	80
4"	100



**TAPPO MASCHIO FUSIONE**  
**HEX PLUG**

**TECNICATRE**  
Stainless Steel Experience