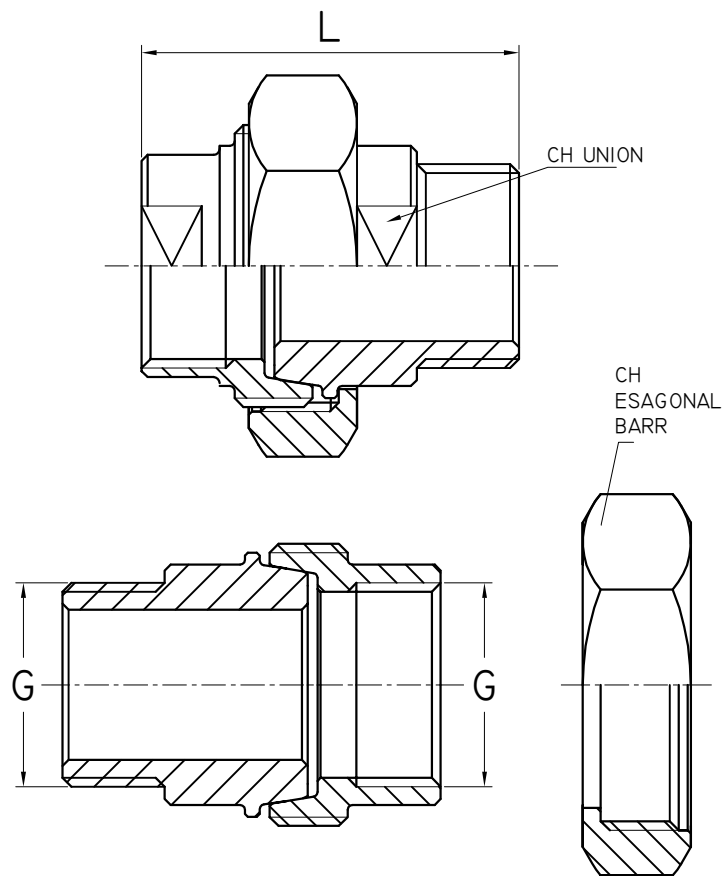


ART. 142

Inch	DN	G	CH UNION	CH ESAGONAL BARR	L
1/4"	8	1/4"	17	32	50
3/8"	10	3/8"	22	36	52
1/2"	15	1/2"	25	46	56
3/4"	20	3/4"	30	50	59
1"	25	1"	37	55	63
1"1/4	32	1"1/4	47	65	68
1"1/2	40	1"1/2	52	80	74
2"	50	2"	64	90	82



BOCCHETTONE M.F.
UNIONS M.F. FROM BARR

TECNICATRE
 Stainless Steel Experience