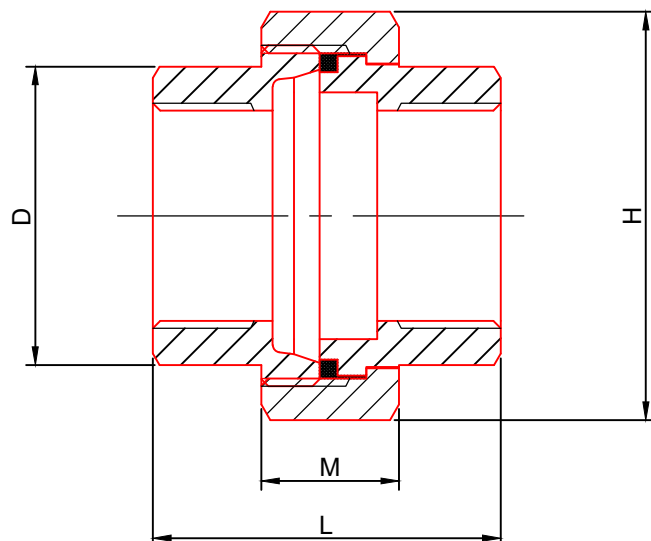
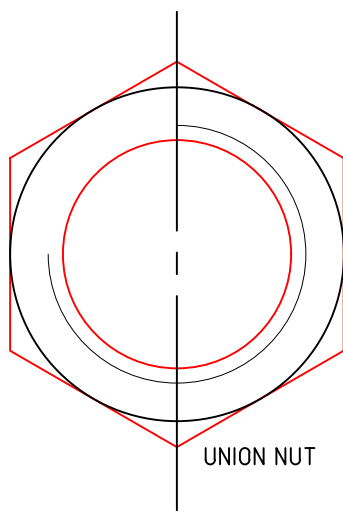


## ART. 0157

G	D <sub>min</sub>	M <sub>min</sub>	L <sub>min</sub>	H	FACES
1/8"	13,0	13,0	26,0*	25,0	8
1/4"	16,5	13,5	31,5*	30,5	8
3/8"	20,0	15,0	36,5	34,0	8
1/2"	24,5	16,0	39,5	37,0	8
3/4"	30,0	17,0	42,5	46,0	8
1"	37,5	20,0	50,0	52,0	8
1"1/4	46,5	22,0	54,0	65,0	10
1"1/2	53,0	24,0	58,0	70,0	10
2"	65,5	27,0	65,0	86,0	10
2"1/2	82,0	29,5	75,0	105,0	10
3"	95,5	31,0	80,5*	118,0	10
4"	121,5	34,0	96,0*	144,0	10

\* MISURA NON CONFORME A NORMATIVA  
SIZE NOT ACCORDING TO STANDARD



**BOCC. S/PIANA FF ISO 4144**  
**FLAT SEAT PTFE UNION FF**  
**ISO 4144**

**TECNICATRE**  
Stainless Steel Experience