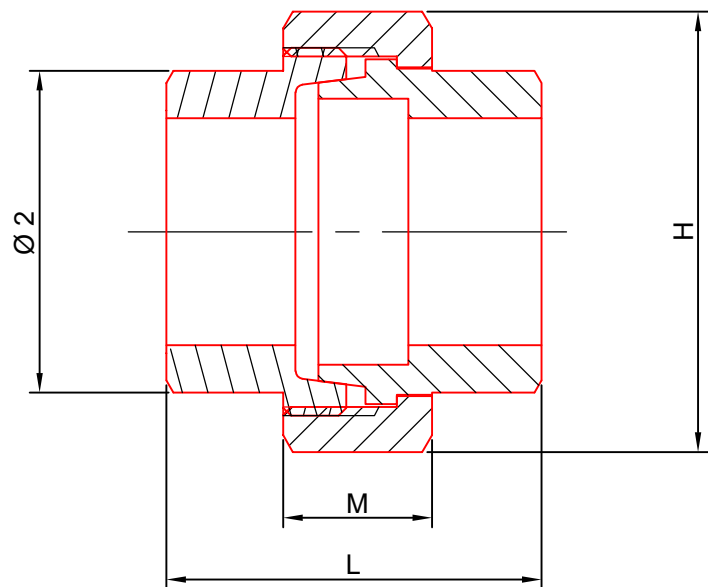
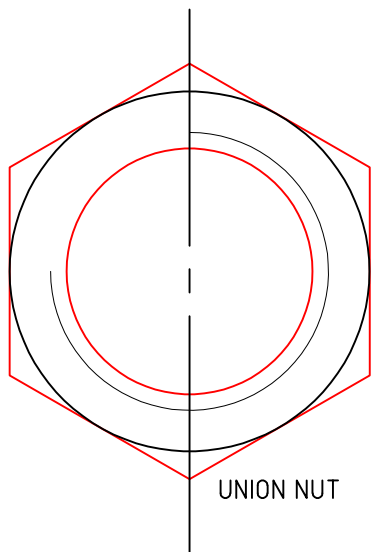


ART. 0153

G	Ø 2	M _{min}	L _{min}	H	FACES
1/8"	10,2	13,0	26,0*	25,0	8
1/4"	13,5	13,5	33,5	30,5	8
3/8"	17,2	15,0	36,5	34,0	8
1/2"	21,3	16,0	39,5	37,0	8
3/4"	26,9	17,0	42,5	46,0	8
1"	33,7	20,0	50,0	52,0	8
1"1/4	42,4	22,0	54,0	65,0	10
1"1/2	48,3	24,0	58,0	70,0	10
2"	60,3	27,0	65,0	83,0	10
2"1/2	76,1	29,5	75,0	101,0	8
3"	88,9	26,0*	79,0*	104,0	10
4"	114,3	33,2*	93,5*	148,0	8

* MISURA NON CONFORME A NORMATIVA
 SIZE NOT ACCORDING TO STANDARD



BOCC. CONICO S/S ISO 4144
UNION CONICAL BW/BW ISO 4144

TECNICATRE
 Stainless Steel Experience